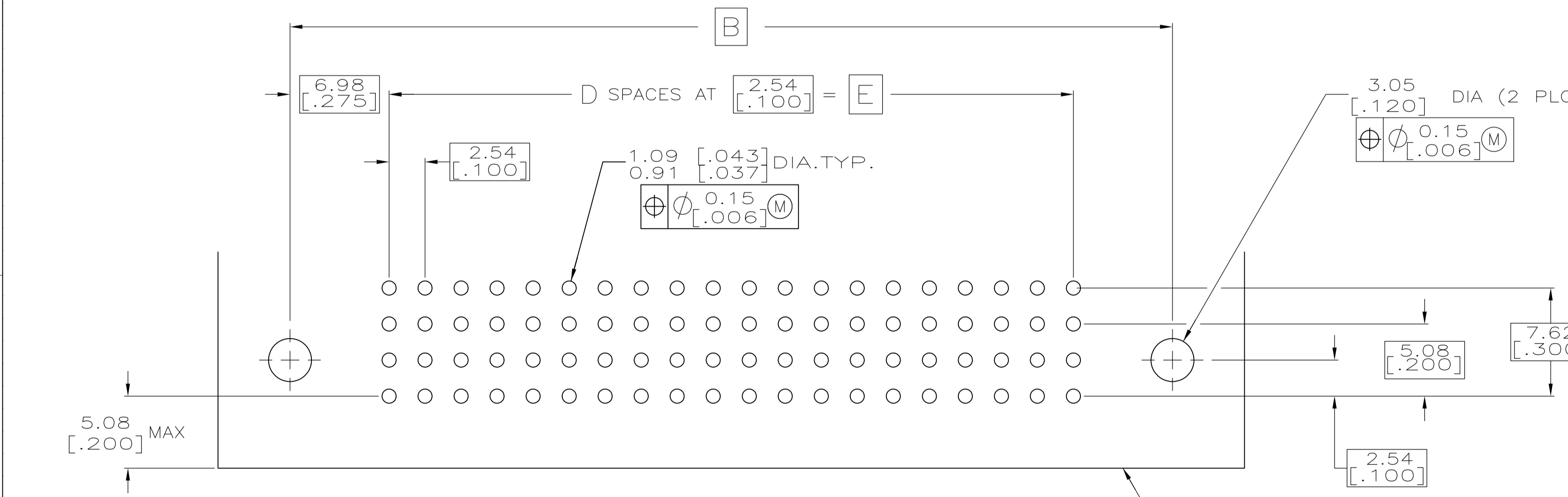
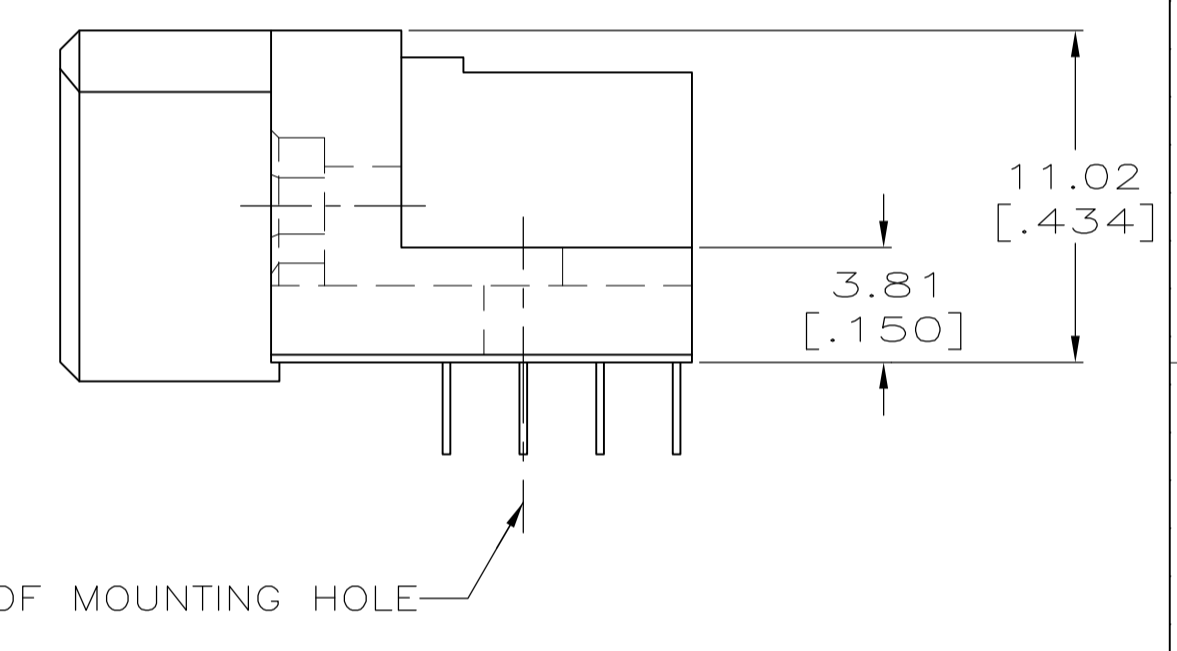
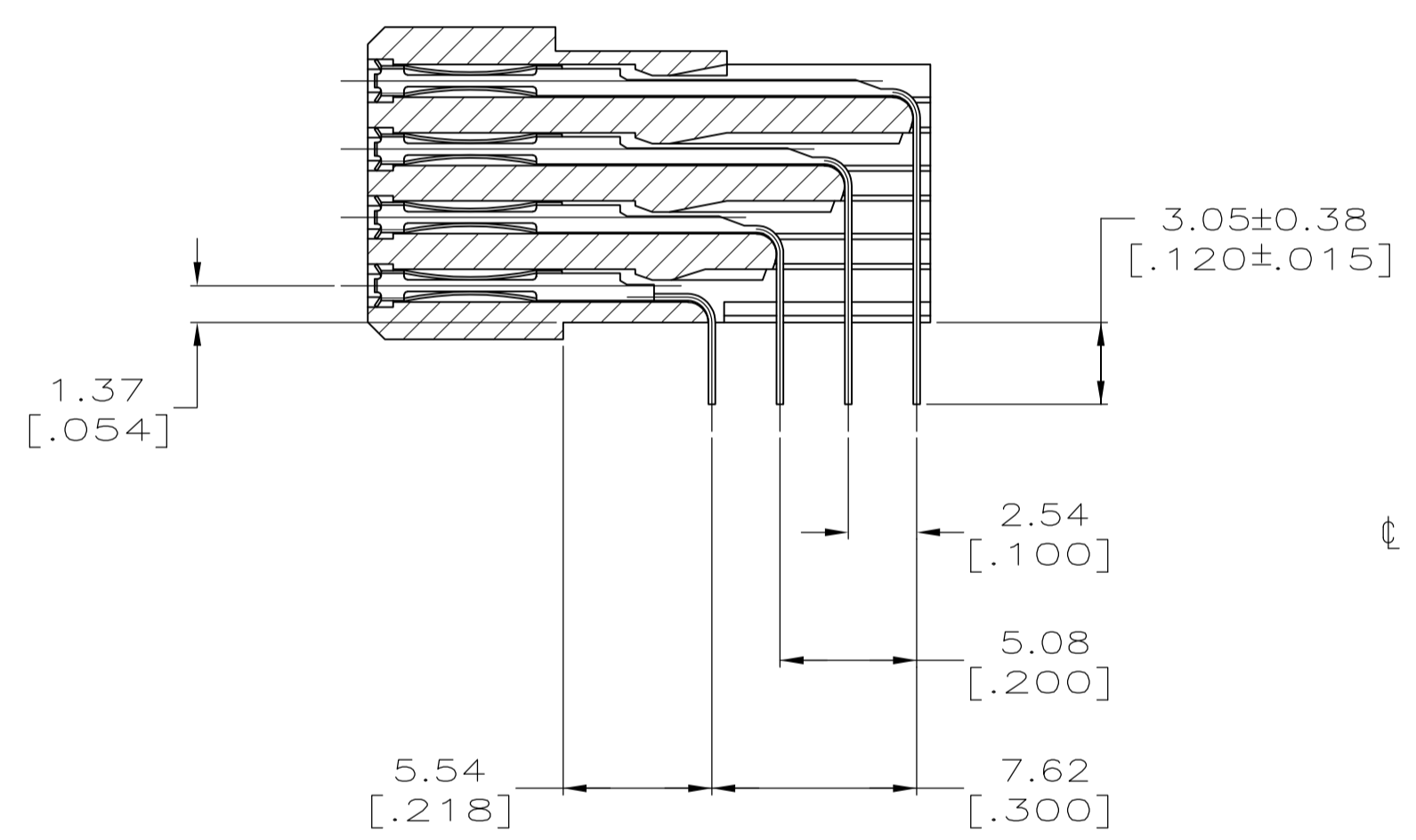
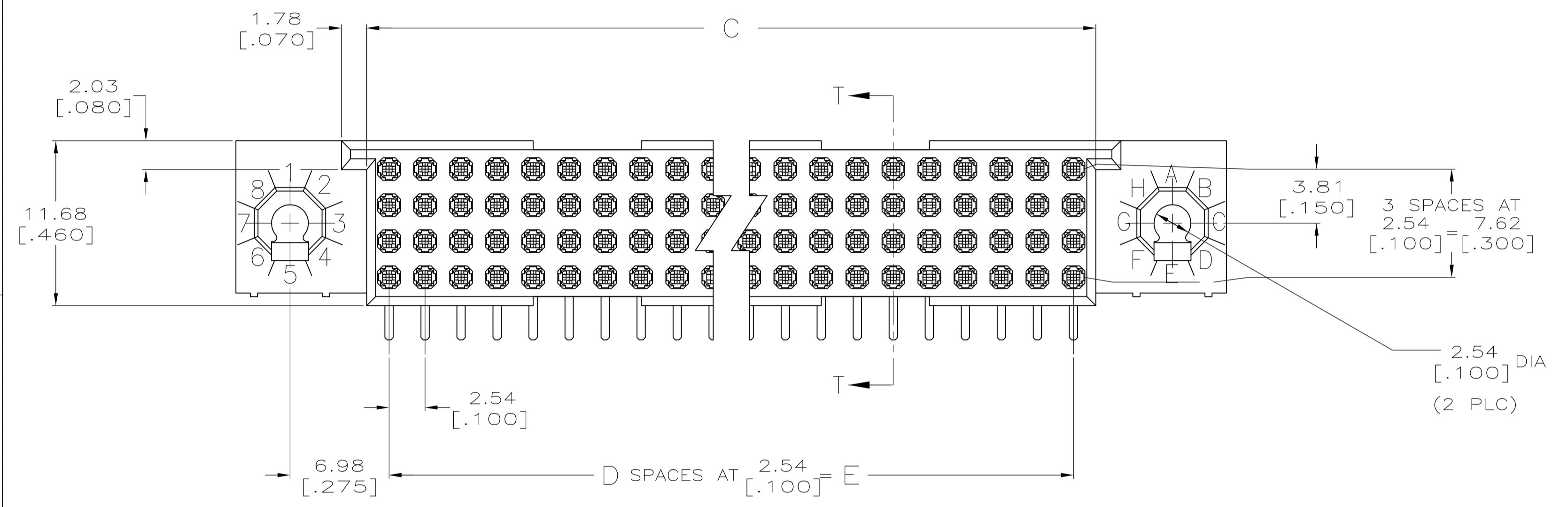
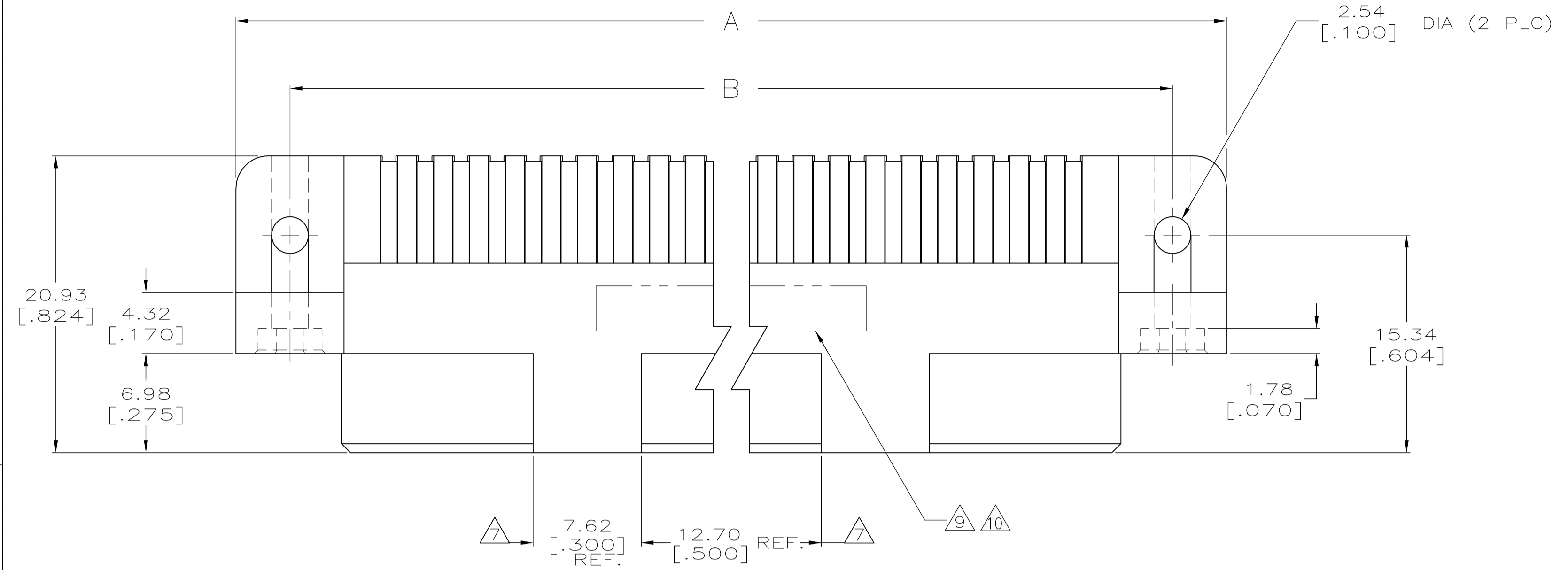


REVISIONS				
#	LR	DESCRIPTION	DATE	OWN APVD
U	REVISED PER	ECO-16-005380	BAPR2016	DS SY




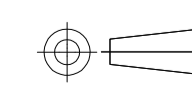
RECOMMENDED P.C. BOARD LAYOUT $\triangle 4$ P.C. BOARD

THIS DRAWING IS A CONTROLLED DOCUMENT.		DWN R.K. SEIFRIED 06/18/90	TE Connectivity																		
DIMENSIONS: mm [INCHES]		CHK G. SKIPPER 2/17/92	NAME																		
TOLERANCES UNLESS OTHERWISE SPECIFIED:		APVD	PRODUCT SPEC																		
<table border="1"> <tr><td>0 PLC</td><td>±</td><td>-</td></tr> <tr><td>1 PLC</td><td>±</td><td>-</td></tr> <tr><td>2 PLC</td><td>±</td><td>-</td></tr> <tr><td>3 PLC</td><td>±</td><td>0.13 [.005]</td></tr> <tr><td>4 PLC</td><td>±</td><td>-</td></tr> <tr><td>ANGLES</td><td>±</td><td>-</td></tr> </table>		0 PLC	±	-	1 PLC	±	-	2 PLC	±	-	3 PLC	±	0.13 [.005]	4 PLC	±	-	ANGLES	±	-	APPLICATION SPEC	
0 PLC	±	-																			
1 PLC	±	-																			
2 PLC	±	-																			
3 PLC	±	0.13 [.005]																			
4 PLC	±	-																			
ANGLES	±	-																			
MATERIAL		WEIGHT	RESTRICTED TO																		
FINISH		SIZE CAGE CODE DRAWING NO		REV																	
$\triangle 1$ $\triangle 2$ $\triangle 3$ $\triangle 4$		A1 00779 C=532903		U																	
CUSTOMER DRAWING		SCALE 4:1	SHEET 1 OF 2																		

REVISIONS				
P	LTR	DESCRIPTION	DATE	APPV
-		SEE SHEET 1	-	-

- ① HOUSING MATERIAL: THERMOPLASTIC, COLOR-NATURAL.
- ② CONTACT MATERIAL: COPPER ALLOY.
- ③ FINISH:
MATING AREA: MEETS THE PERFORMANCE REQUIREMENTS OF PRODUCT SPECIFICATION 108-9063; BASED ON TELCORDIA DR-1217-CORE APPLICATIONS IN UNCONTROLLED ENVIRONMENTS.
SOLDER TAILS AREA: TIN-LEAD PLATED.
- ④ SOLDER TAILS MUST FIT HOLE PATTERN AS SHOWN ON THE RECOMMENDED P.C. BOARD LAYOUT.
- 5. DIMENSIONS IN BRACKETS ARE IN INCHES.
- ⑥ PART NUMBER IS OBSOLETE.
- ⑦ QUANTITIES OF VOID CORING ARE DEPENDENT ON THE POSITION SIZE OF THE HOUSING.
- ⑧ NO CONTACT LUBRICANT
- ⑨ AMP, PART NUMBER, AND DATE CODE
- ⑩ OEFD0-983-9000-048, REV A, 00779 AND DATE CODE, ONLY FOR PART NUMBER 3-532903-6
- ⑪ PART NUMBER IS FOR ROCKWELL COLLINS.
- ⑫ FINISH:
CONTACT FINISH: .00127-.00254 [.000050-.000100] NICKEL
UNDERPLATE ALL OVER: .000762 [.000030] GOLD PLATE IN CONTACT AREA, TIN-LEAD PLATED POSTS.

⑫⑪⑩⑧	73.66 [2.900]	29	76.81 [3.024]	87.63 [3.450]	95.25 [3.750]	120	3-532903-6
⑥	---	---	---	---	---	---	3-532903-5
⑥	---	---	---	---	---	---	3-532903-4
⑥	210.82 [8.300]	83	213.97 [8.424]	224.79 [8.850]	232.41 [9.150]	336	1-532903-4
⑥	35.56 [1.400]	14	38.71 [1.524]	49.53 [1.950]	57.15 [2.250]	60	1-532903-3
⑫	73.66 [2.900]	29	76.81 [3.024]	87.63 [3.450]	95.25 [3.750]	120	1-532903-2
	175.26 [6.900]	69	178.41 [7.024]	189.23 [7.450]	196.85 [7.750]	280	1-532903-1
⑥	162.56 [6.400]	64	165.71 [6.524]	176.53 [6.950]	184.15 [7.250]	260	1-532903-0
⑥	149.86 [5.900]	59	153.01 [6.024]	163.83 [6.450]	171.45 [6.750]	240	532903-9
	137.16 [5.400]	54	140.31 [5.524]	151.13 [5.950]	158.75 [6.250]	220	532903-8
	124.46 [4.900]	49	127.61 [5.024]	138.43 [5.450]	146.05 [5.750]	200	532903-7
	111.76 [4.400]	44	114.91 [4.524]	125.73 [4.950]	133.35 [5.250]	180	532903-6
	99.06 [3.900]	39	102.21 [4.024]	113.03 [4.450]	120.65 [4.750]	160	532903-5
	86.36 [3.400]	34	89.51 [3.524]	100.33 [3.950]	107.95 [4.250]	140	532903-4
	78.74 [3.100]	31	81.89 [3.224]	92.71 [3.650]	100.33 [3.950]	128	532903-3
	60.96 [2.400]	24	64.11 [2.524]	74.93 [2.950]	82.55 [3.250]	100	532903-2
	187.96 [7.400]	74	191.11 [7.524]	201.93 [7.950]	209.55 [8.250]	300	532903-1
	E	D	C	B	A	POSN	PART NUMBER

THIS DRAWING IS A CONTROLLED DOCUMENT.		DIN R.K. SEIFRIED 06/18/90 CHK G SKIPPFR 2/17/92		 TE Connectivity	
DIMENSIONS: mm [INCHES]		TOLERANCES UNLESS OTHERWISE SPECIFIED:			
0 PLC ± - 1 PLC ± - 2 PLC ± - 3 PLC ± 0.13 [.005] 4 PLC ± - ANGLES ± -		PRODUCT SPEC APPLICATION SPEC		NAME HOI, 4 ROW, RECEPTACLE ASSEMBLY, 3.05 [.120] LONG SOLDER TAILS	
		MATERIAL ①② FINISH ③④		SIZE CASE CODE DRAWING NO A1 00779 532903	
MATERIAL ①②		FINISH ③④		WEIGHT 0 CUSTOMER DRAWING SCALE 4:1 SHEET 2 OF 2 REV U	